

THESE DRAWINGS AND ACCOMPANYING SPECIFICATIONS AS INSTRUMENTS OF SERVICE ARE THE EXCLUSIVE PROPERTY OF THE ENGINEER AND THEIR USE AND PUBLICATION SHALL BE RESTRICTED TO THE ORIGINAL SITE FOR WHICH THEY WERE PREPARED. REUSE, REPRODUCTION OR PUBLICATION BY ANY METHOD IN WHOLE OR IN PART IS PROHIBITED EXCEPT BY WRITTEN PERMISSION FROM THE ENGINEER. TITLE TO THESE PLANS AND SPECIFICATIONS SHALL REMAIN WITH THE ENGINEER WITHOUT PREJUDICE, AND VISUAL CONTACT WITH THEM SHALL CONSTITUTE PRIMA FACIE EVIDENCE OF ACCEPTANCE OF THESE RESTRICTIONS.
 COPYRIGHT MAGNUM GEO-SOLUTIONS, LLC ALL RIGHTS RESERVED.

PLAN NOT VALID WITHOUT ORIGINAL WET STAMP

PROJECT NAME:

PROJECT NAME

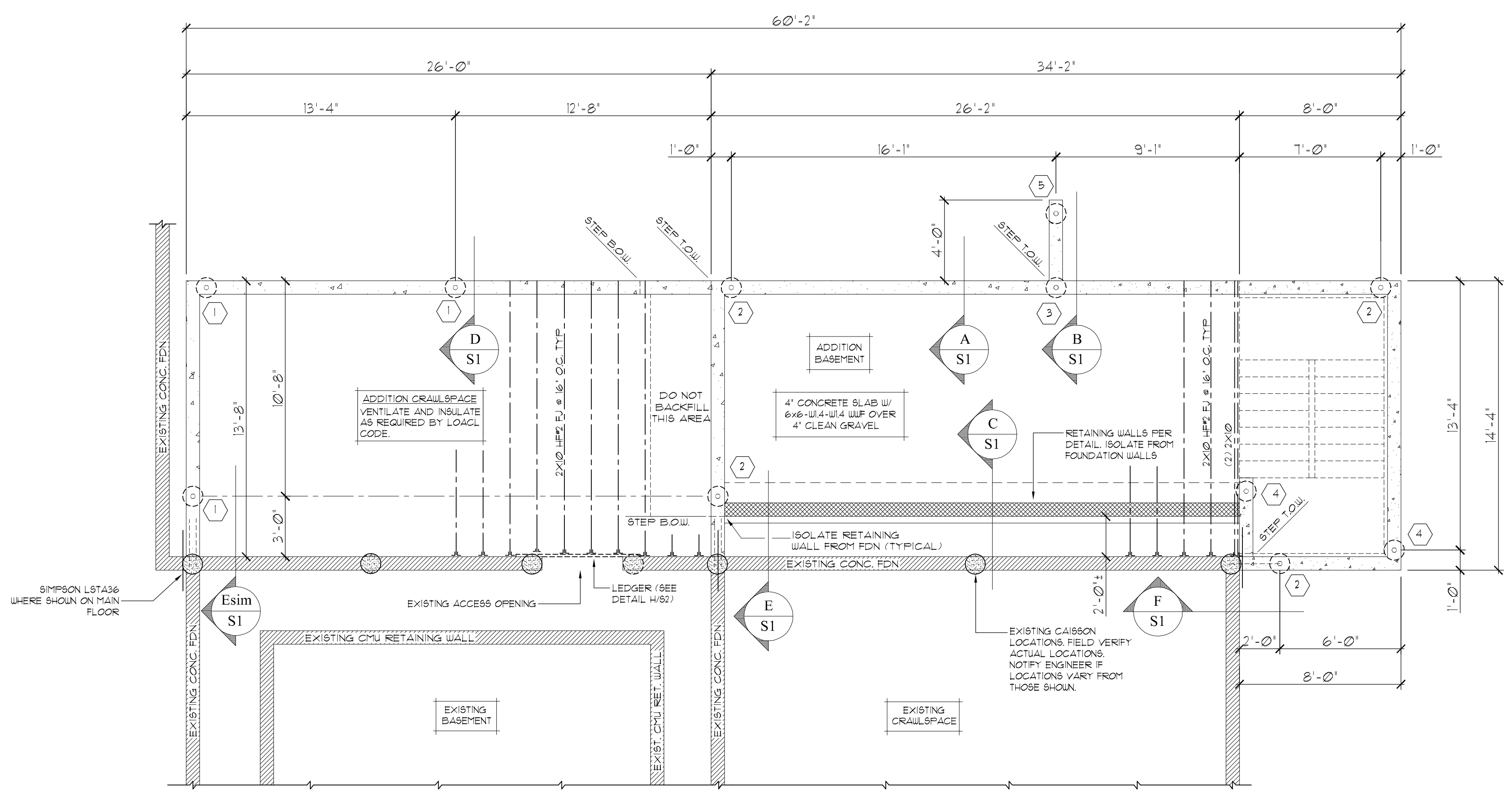
PROJECT DESCRIPTION
 STREET ADDRESS
 CITY, STATE

CLIENT:
 YOUR COMPANY NAME
 STREET ADDRESS
 CITY, STATE
 Contact: Your Name
 Your Number

HELICAL PILE LAYOUT & DETAILS

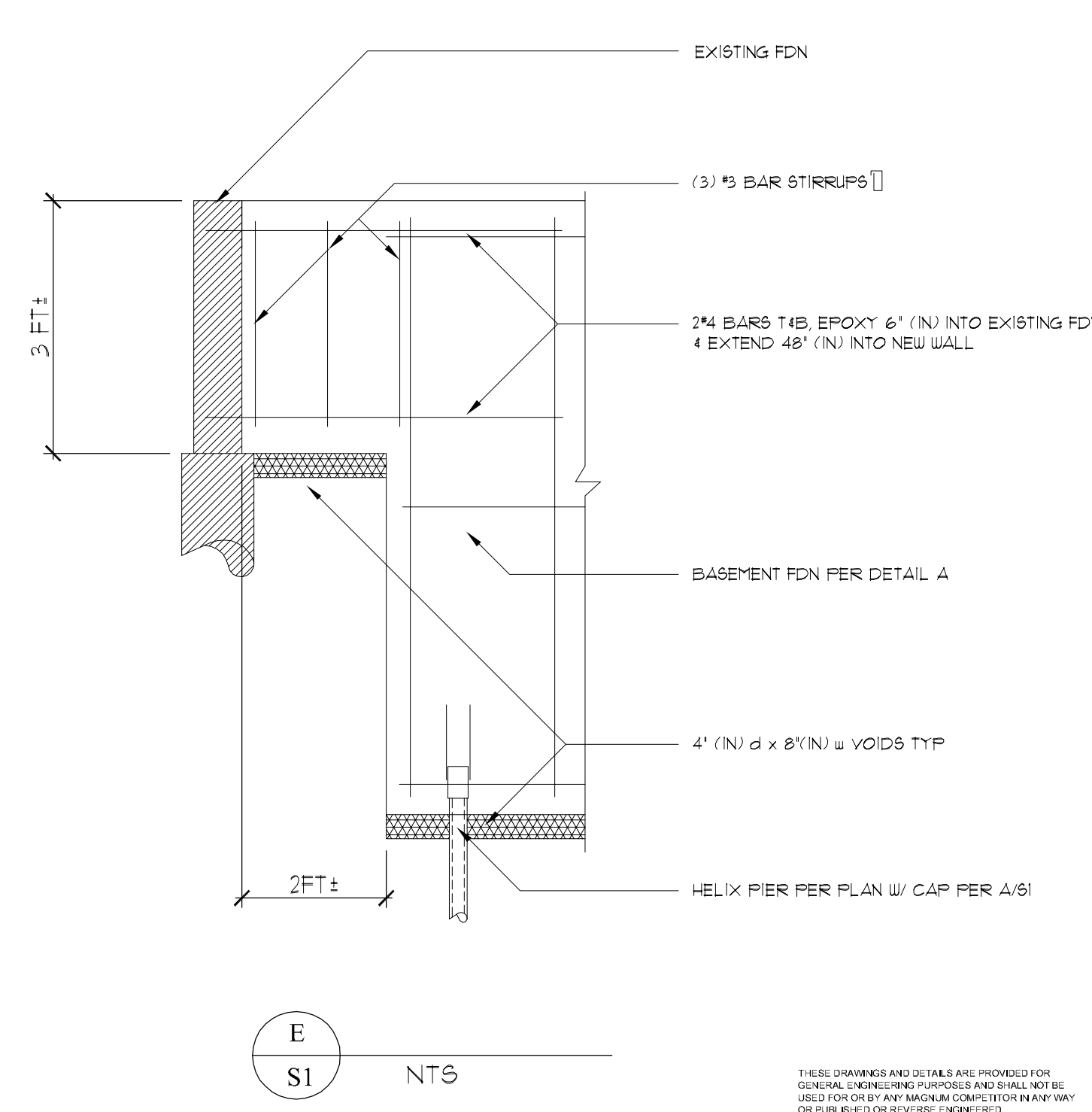
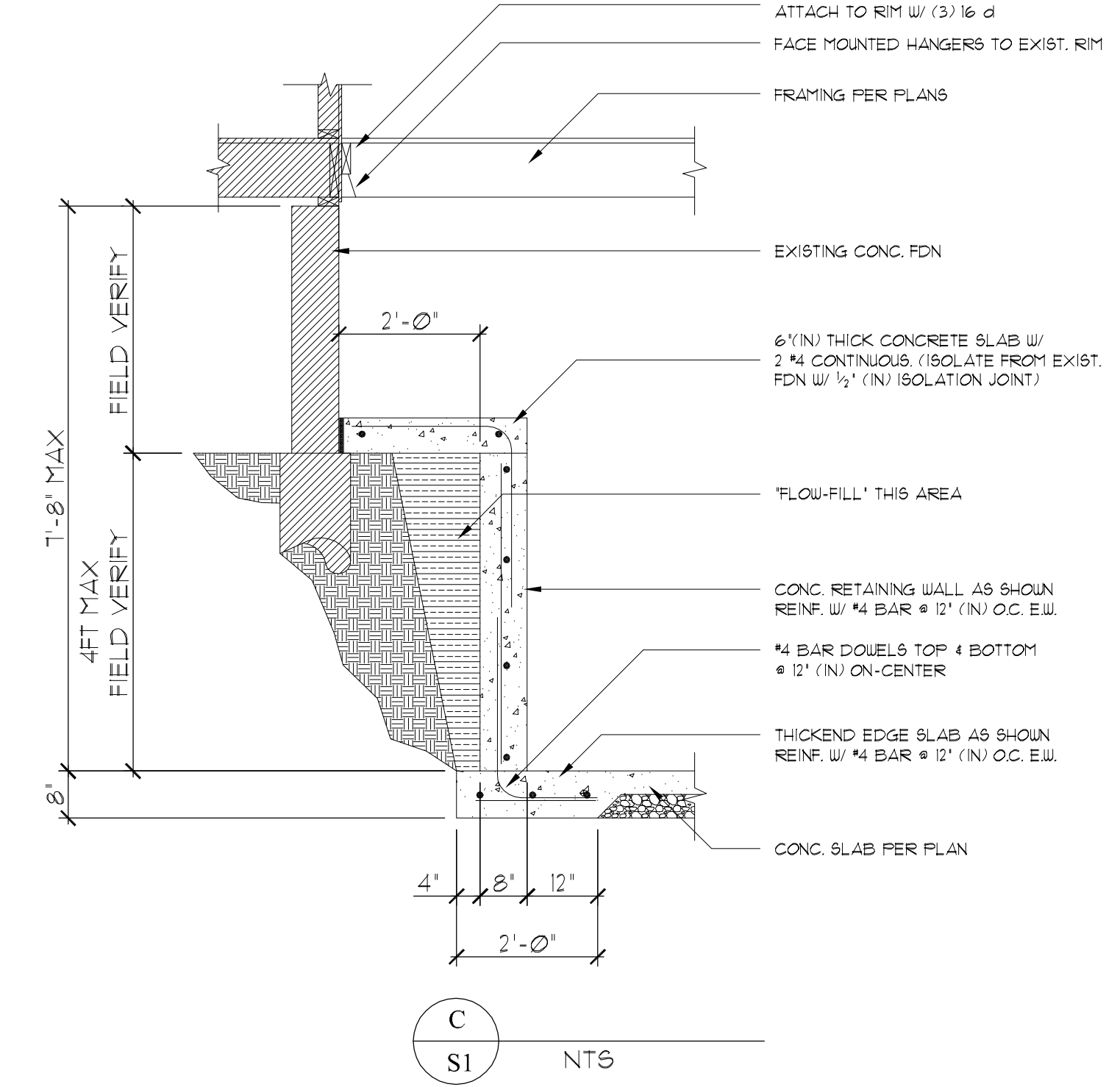
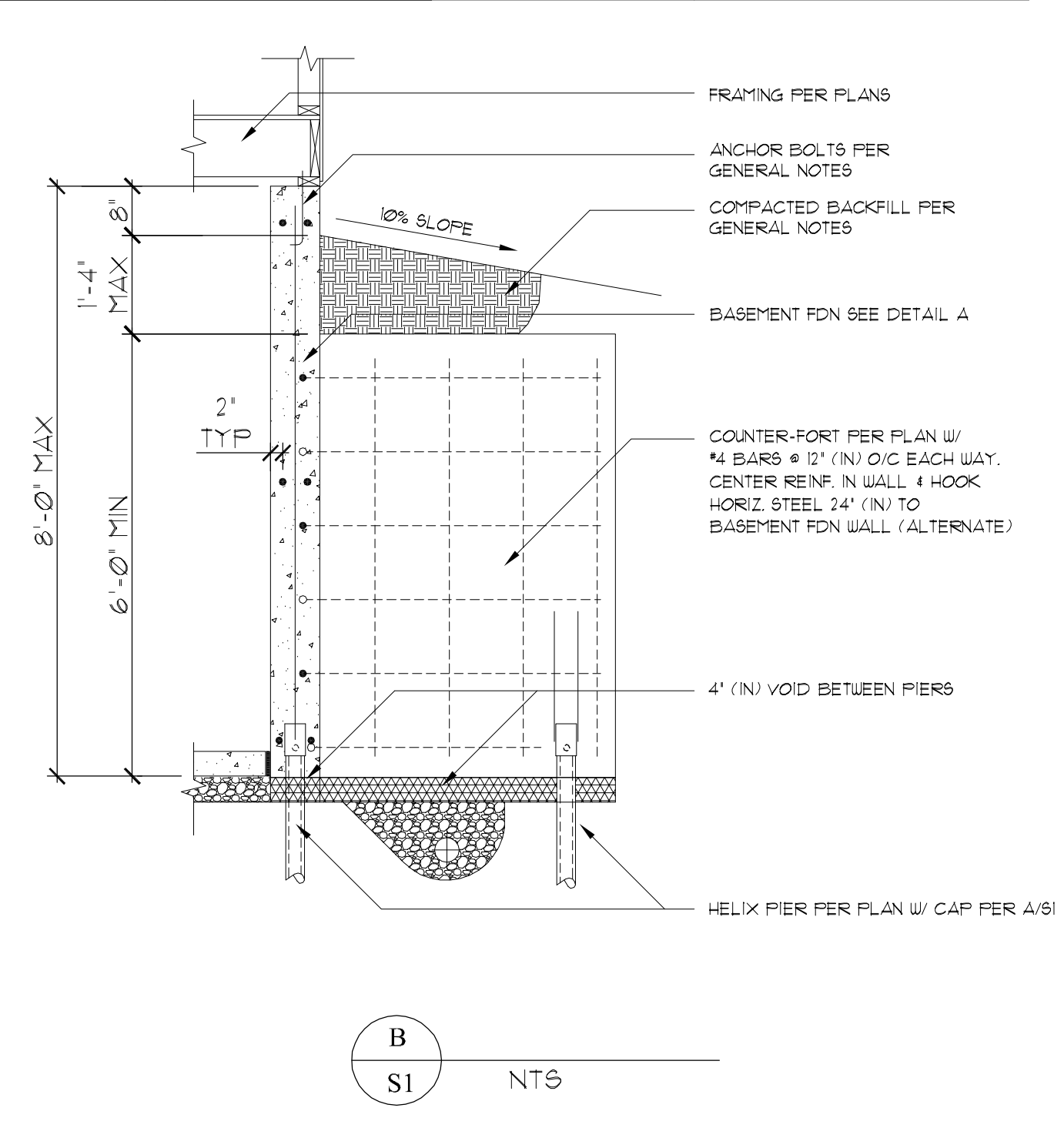
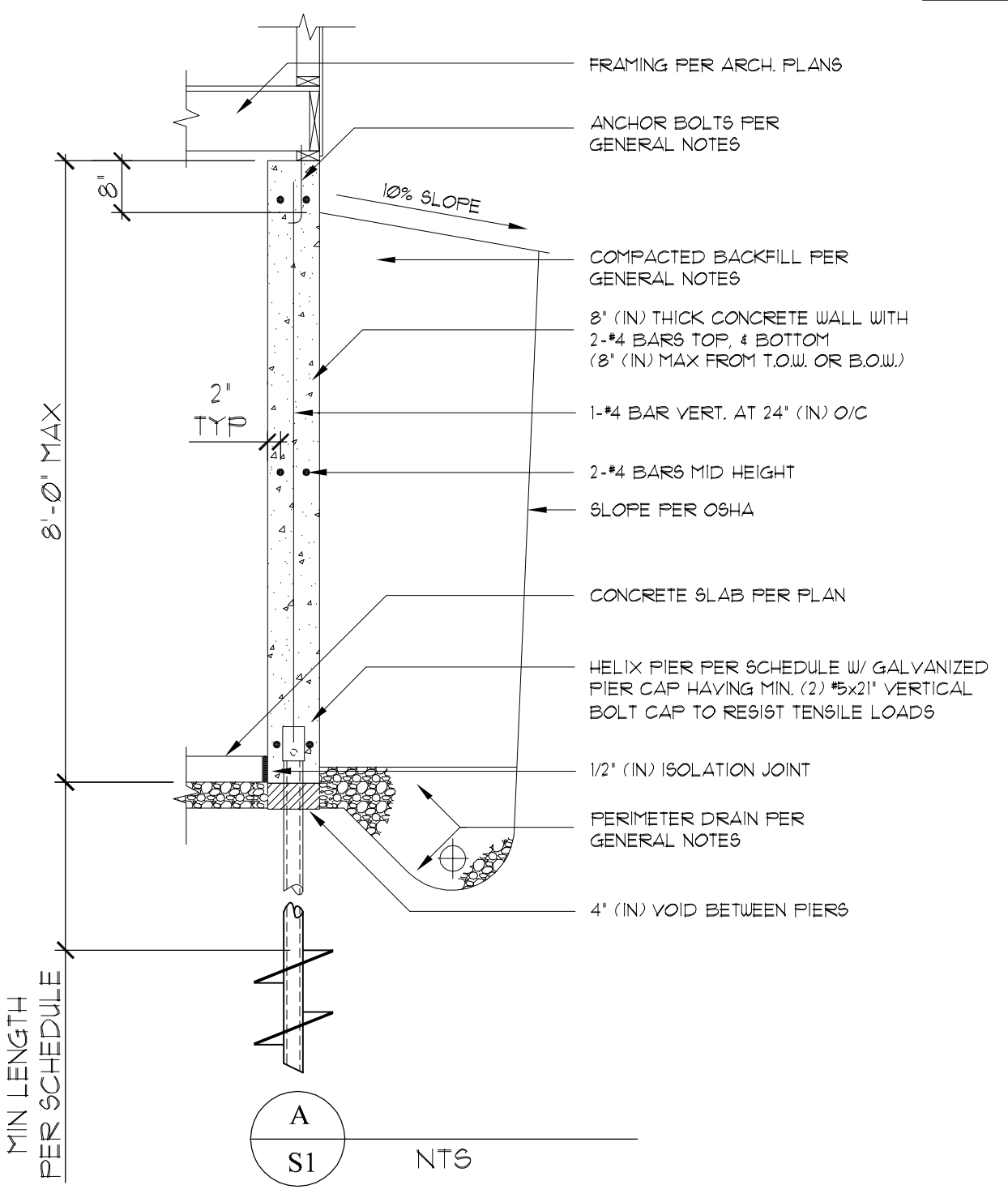
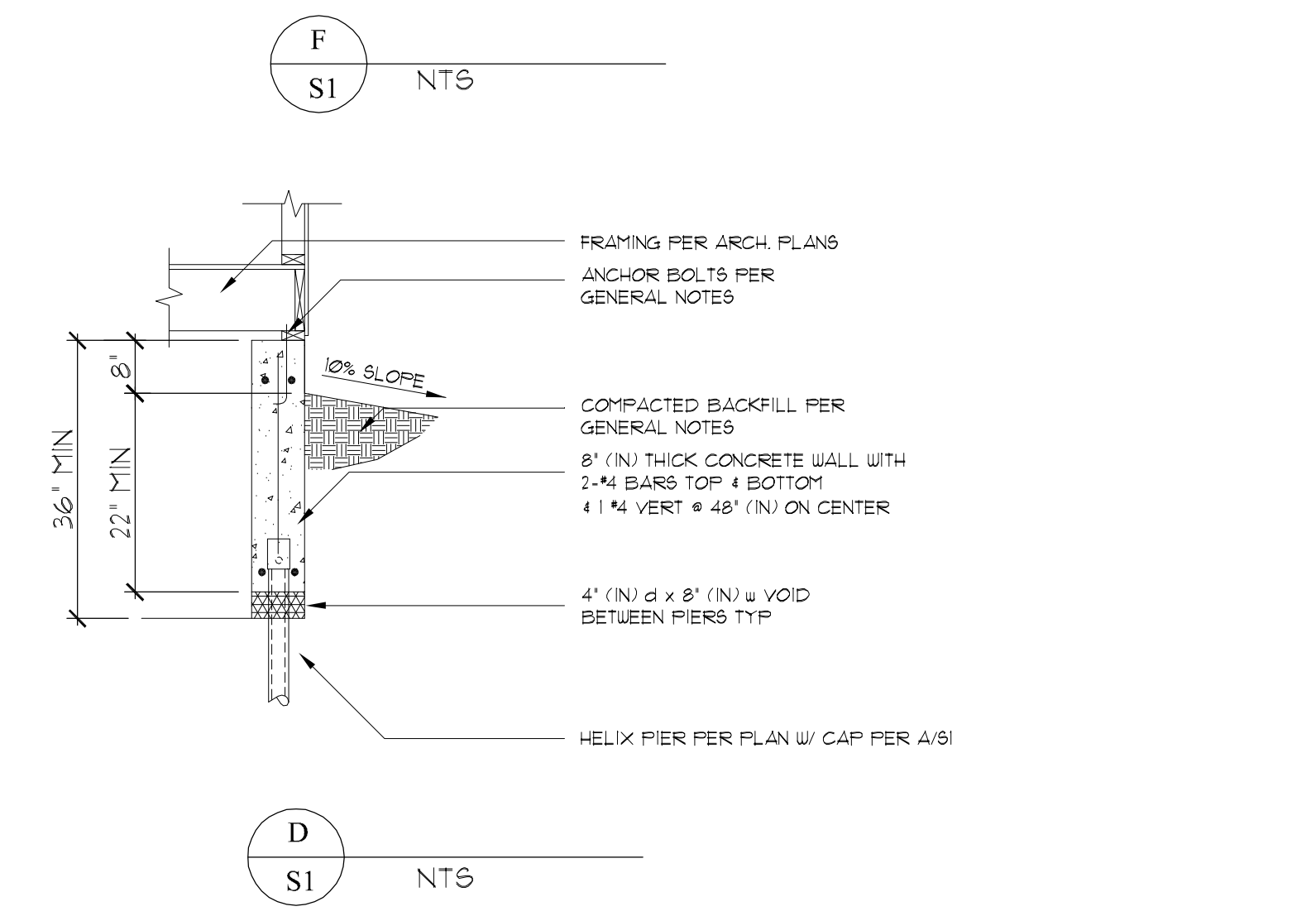
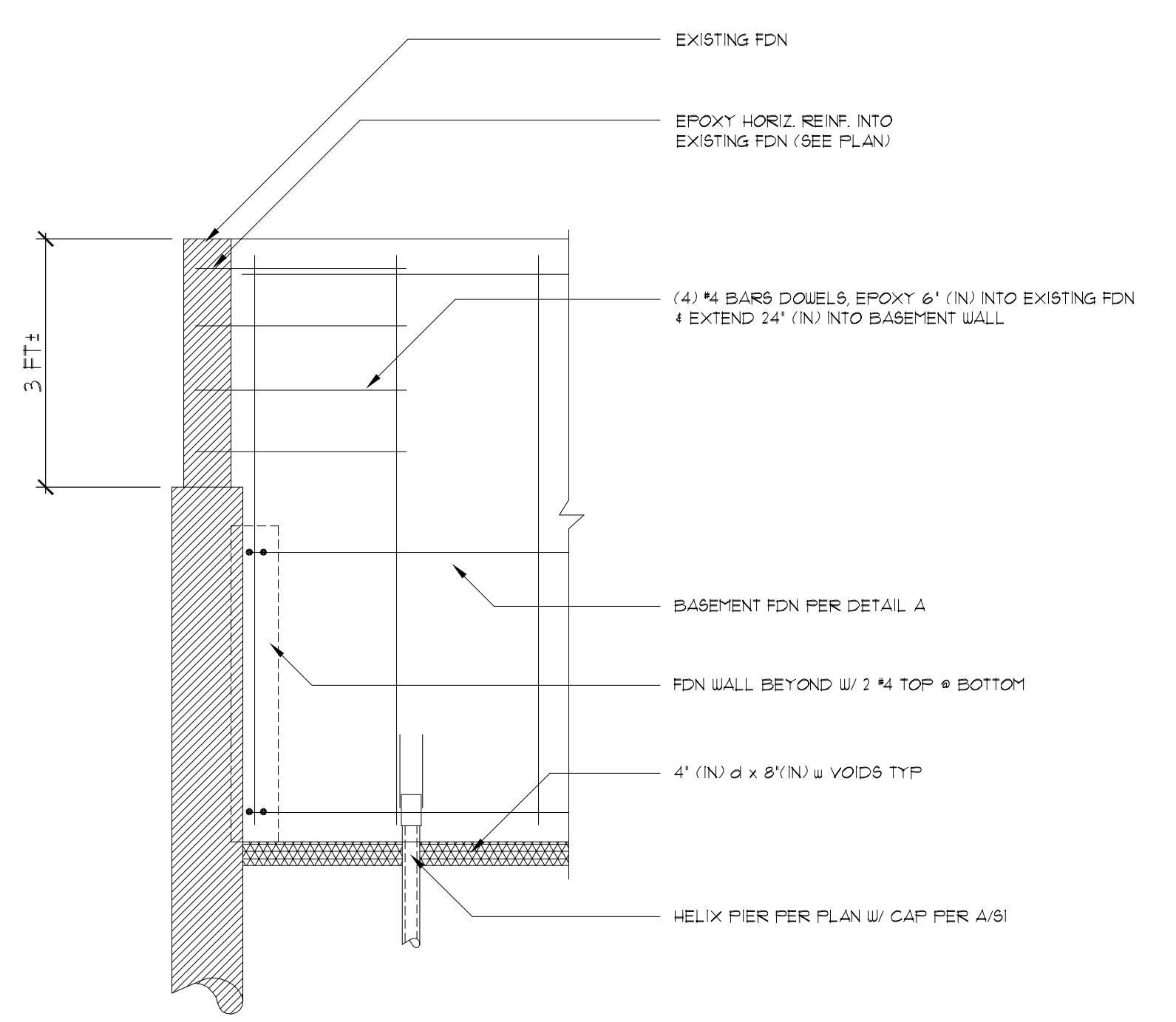
NO.	DATE	REVISION/ISSUE

DESIGNED BY: MMB DATE: 5/26/09
 DRAWN BY: MMB SCALE: AS SHOWN
 CHECKED BY: HAP
 PROJECT NO: RMB25



FOUNDATION PLAN
 SCALE 1/4" = 1'-0"

HELIX FOUNDATION SCHEDULE				
SYMBOL	QUANTITY	CAPACITY	UPLIFT CAPACITY	MIN. LENGTH (SEE A/S1)
①	3	15 KIPS	22 KIPS	14 FT
②	4	30 KIPS	14 KIPS	9 FT
③	1	41 KIPS	14 KIPS	9 FT
④	2	15 KIPS	14 KIPS	9 FT
⑤	1	15 KIPS	22 KIPS	9 FT



THESE DRAWINGS AND DETAILS ARE PROVIDED FOR GENERAL ENGINEERING PURPOSES AND SHALL NOT BE USED FOR OTHER ANY MAGNUM CONSTRUCTION RISK-WAY OR PUBLISHED OR REVERSE ENGINEERED.

