

MAGNUM[®] MH425BR Helical Piles

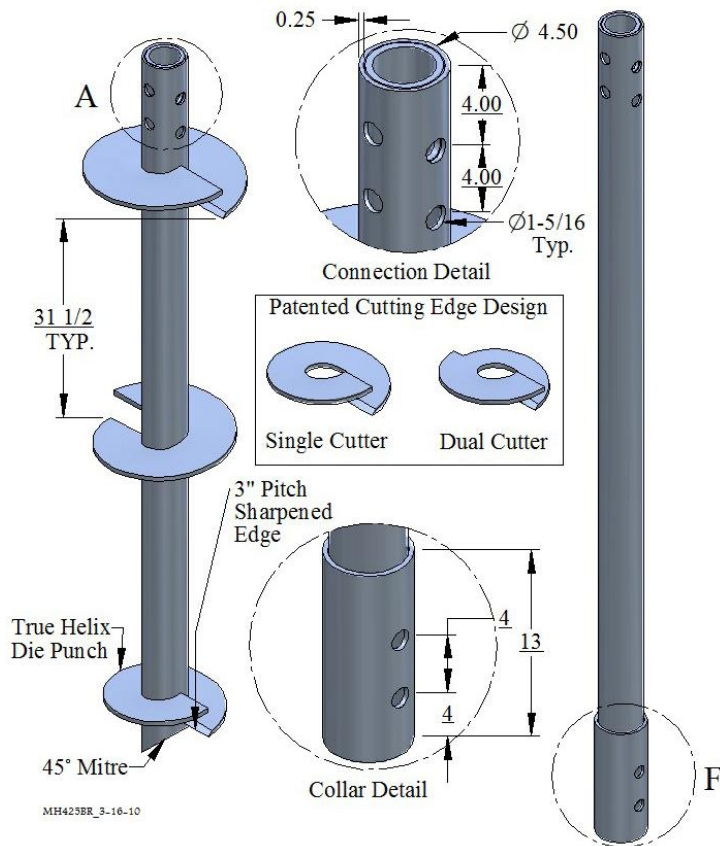
80 Ton Ultimate - 40 Ton Allowable Capacity

High-Strength 4.50" Diameter, 0.25" Wall, Round-Shaft with Reinforced (R) Dual Sleeve Coupler & (2) 1.25" Bolts



Description

Magnum MH425BR Helical Piles have 80 tons ultimate capacity and 40 tons working capacity in compression and tension. Lead sections and extensions couple together to extend helical bearing plates to the desired bearing stratum. Round shafts offer increased lateral and buckling resistance compared to solid square shafts. Capacity calculations are based on average life expectancy of over 50 years for most soil conditions. Patented Magnum Dual-Cutting Edge helical bearing plates (DCE) enhance penetration through dense soils with occasional cobbles and debris. Custom lengths and helix configurations are available upon request. See Magnum Technical Reference Manual for additional information including design tools, prescriptive specifications and example plans.



STEEL SPECIFICATIONS	
SHAFT	HSS 4.50" x 0.25" wall ASTM A513 65 KSI, or Equivalent
I	7.33 in ⁴
Ag	3.24 in ²
S	3.27 in ³
COUPLING	0.31" Wall Collar with 0.375" Insert
BOLTS	(2) 1.25" Diameter SAE Grade 5 / ASTM A325
BLADES	0.625" Thick, Helix Die-Pressed ASTM A36, or Better
COATING OPTIONS	Hot-Dip Galvanized (G), Bare Steel (NG), Epoxy Powder Coated (EP)
PROPERTIES	
5.7 ft ⁻¹	Ultimate Capacity-to-Torque Ratio
28,000 ft-lbs	Maximum Installation Torque
STRUCTURAL CAPACITY	
105 Tons	Ultimate Capacity
53 Tons	Allowable Capacity
CAPACITY BY TORQUE	
80 Tons	Ultimate Compression & Tension
40 Tons	Allowable Compression & Tension

Lead - MHL425BR7M10S12S14SG

Extension - MHE425BR7G

4.5" Product Line Helical Bearing Plate Specifications & Available Configurations

- 0.625" Thick; ASTM A36 or Higher
- 3.00" Blade Pitch
- 10", 12", 14", 16" Diameter
- Standard Circular Helix, or
- Patented Dual Cutting Edge Helix

Sharpened Edges - All Helix

- *5 ft. Lead or Extension - up to 2 helical bearing plates
- *7 ft. Lead or Extension - up to 3 helical bearing plates
- *10 ft. Lead or Extension - up to 4 helical bearing plates
- *15 ft. Lead or Extension - up to 6 helical bearing plates

* Standard Stocking Length

All Magnum Steel & Products Made in U.S.A.

Magnum Piering, Inc.

6082 Schumacher Park Dr.
West Chester, OH 45069
800-822-7437
www.magnumpiering.com

© Copyright 2009-10 Magnum Piering, Inc. All Rights Reserved.
U.S. Patents 6,058,662 and 5,234,287; Other Patents Pending.