

MAGNUM[®] MHC1160-3 4x4 Post Cap

Allowable Capacity 8 Tons Compression / 8 Tons Tension

3-Inch I.D. Collar with 2.00" Tall 3.625" x 3.625" x 0.188" Post Base
Fits MH313, MH313R, MH325 Magnum[®] Helical Piles

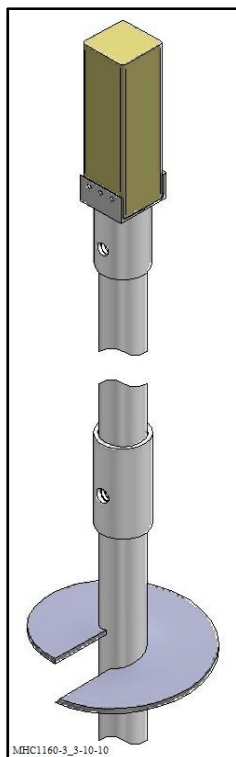
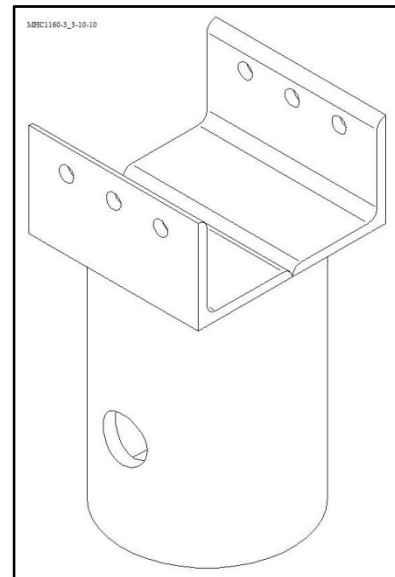


Description

Magnum MHC1160-3 4x4 post cap has 17 tons ultimate capacity, 8 tons working capacity in compression and tension. The 4x4 post cap consists of a collar tube with bolt hole for connection to Magnum helical piles and 3.625" x 3.625" post base for attachment to a 4.00" x 4.00" dimensioned wood post. The 4x4 post cap is designed in accordance with ICC-ES document AC358 as well as IBC, ACI, and AISC codes. Application of the cap varies by project and is the responsibility of registered design professional including crushing strength, lateral bracing, and buckling of wood post.

SPECIFICATIONS	
Collar Tube	0.25 in. x 3.00 in. I.D. ASTM A513 GR65+
End Effector	2.00" tall 3.625" x 3.625" x 0.188" Post Base with Holes for (6) 0.25" Lag Bolts
Pile Connection	(1) 0.88" SAE Grade 5 / ASTM A325 Bolt
Surface Coating	Galvanized per ASTM A153/A123 (G), Bare Steel (NG), or Epoxy Coated per ICC-ES AC228 (EP)
Compatibility	MH313, MH313R, MH325

CAP CAPACITY	
Ultimate Compression / Tension	17 Tons / 17 Tons
Allowable Compression / Tension	8 Tons / 8 Tons



Installation Notes:

After installation of a Magnum Helical Pile to the correct depth, torque, and capacity, cut-off the pile shaft at the proper elevation. Drill .94" hole using Magnum drill template. Place the pile cap over the shaft and secure with 0.88" bolt. Snug tighten nut. Place wood post on post base and secure with 0.25" lag screws as required for the project.

All Magnum Steel & Products Made in U.S.A.

Magnum Piering, Inc.

6082 Schumacher Park Dr.
West Chester, OH 45069
800-822-7437
www.magnumpiering.com

© Copyright 2010 Magnum Piering, Inc. All Rights Reserved.
U.S. Patents 6,058,662 and 5,234,287; Other Patents Pending.