

# MAGNUM® MHC1206-3 ID Plate Cap

Allowable Capacity 16 Tons Compression / 16 Tons Tension

2.5-Inch O.D. Collar with 6.00" x 6.00" x 0.375" Plate w/ 0.50" Threaded Hole

Fits MH313, MH313R, MH325 Magnum® Helical Piles

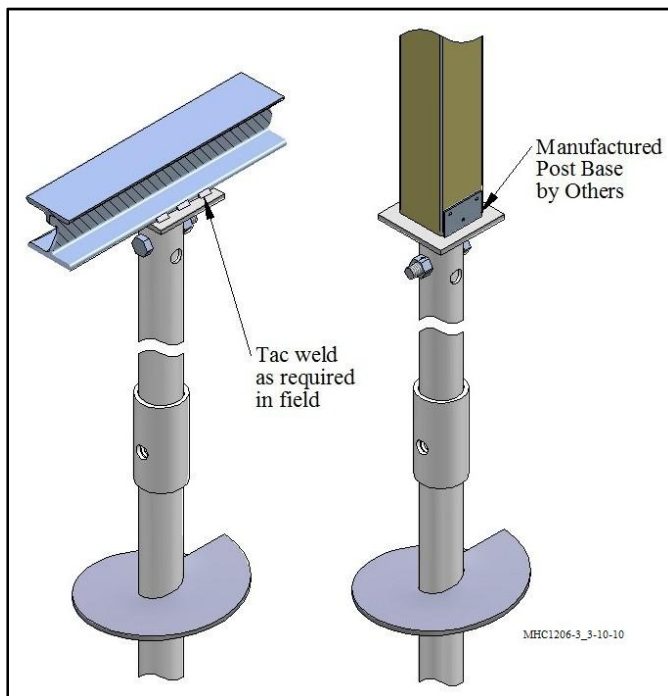
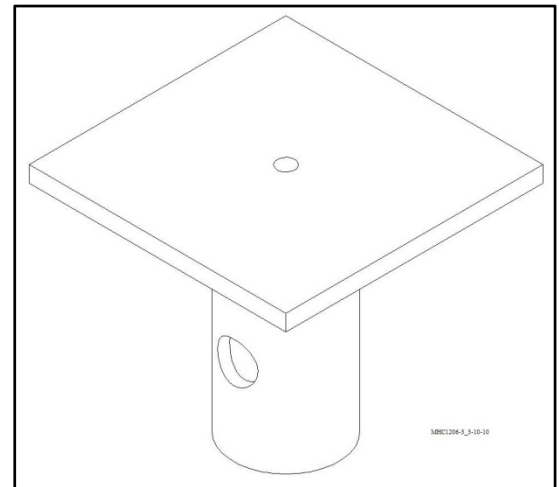


## Description

Magnum MHC1206-3 ID plate cap has 32 tons ultimate capacity, 16 tons working capacity in compression and tension. The ID plate cap consists of a collar tube with bolt hole for connection to Magnum helical piles and 6".00 x 6".00 x 0.375" plate with 0.50" hole for attachment to various wood and steel beams and posts. The ID plate cap is designed in accordance with ICC-ES document AC358 as well as IBC, ACI, and AISC codes. Application of the cap varies by project and is the responsibility of registered design professional including beam bearing, beam span, beam attachment, post attachment, and buckling of post.

SPECIFICATIONS	
Collar Tube	0.25 in. x 2.5 in. O.D. ASTM A513 GR65+
End Effector	6.00" x 6.00" x 0.375" Steel Plate with 0.50" Threaded Hole
Pile Connection	(1) 0.88" SAE Grade 5 / ASTM A325 Bolt
Surface Coating	Galvanized per ASTM A153/A123 (G), Bare Steel (NG), or Epoxy Coated per ICC-ES AC228 (EP)
Compatibility	MH313, MH313R, MH325

CAP CAPACITY	
Ultimate Compression / Tension	32 Tons / 32 Tons
Allowable Compression / Tension	16 Tons / 16 Tons



## Installation Notes:

After installation of a Magnum Helical Pile to the correct depth, torque, and capacity, cut-off the pile shaft at the proper elevation. Drill 0.94" hole using Magnum drill template. Place the pile cap inside the shaft and secure with 0.88" bolt. Snug tighten nut. Place wood or steel beam/post on cap and secure as required for the project.

*All Magnum Steel & Products Made in U.S.A.*

## Magnum Piering, Inc.

6082 Schumacher Park Dr.  
West Chester, OH 45069  
800-822-7437  
www.magnumpiering.com

© Copyright 2010 Magnum Piering, Inc. All Rights Reserved.  
U.S. Patents 6,058,662 and 5,234,287; Other Patents Pending.