

MAGNUM[®] MP1006-3 Reverse Angle

Allowable Capacity 26 Tons

8.00" x 8.00" x 24.00" x 0.50" Angle with (16) 0.50" Thru Holes & 3.00" I.D.

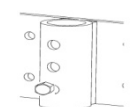
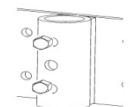
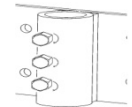
Collar - Fits MP313 & MP325 Magnum[®] Steel Push Piers

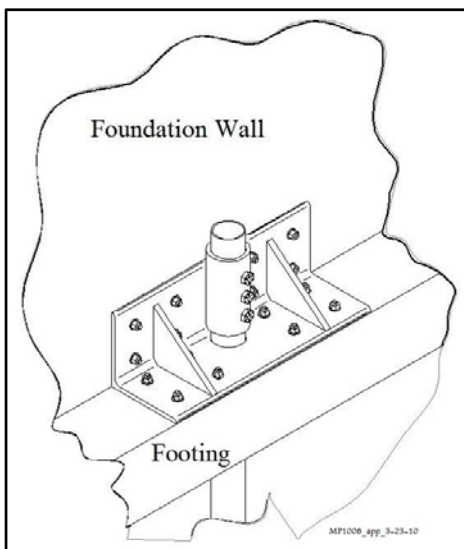
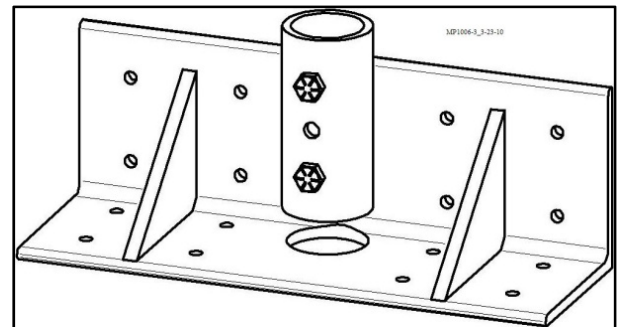


SPECIFICATIONS	
Collar Tube	0.37 in. x 3.00 in. I.D. ASTM A513 GR65+
Configuration	8.00" x 8.00" x 24.00" x 0.50" Angle with (16) 0.50" Thru Holes for Expansion Anchors
Pile Connection	(1, 2, or 3) 3/4" SAE GR8 / ASTM A480
Surface Coating	Galvanized per ASTM A153/A123 (G) or Standard Magnum Blue Paint (P)
Compatibility	MP313 & MP325

Description

The Magnum MP1006-3 reverse angle bracket has 53 tons maximum ultimate capacity, 26 tons working capacity in compression and tension. The bracket consists of a collar tube with (3) 0.75" threaded bolt holes for connection to existing concrete using expansion anchors. The bracket is designed in accordance with IBC, ACI, and AISC codes. Design and detailing of the connection to the structure varies by project and is the responsibility of registered design professional including maximum concrete span, pier spacing, concrete shear, and concrete bearing.

CONNECTION TYPE	ULTIMATE CAPACITY 0.13 / 0.25 Wall Pile	ALLOWABLE CAPACITY 0.13 / 0.25 Wall Pile
 SINGLE BOLTED	10 Tons / 18 Tons	5 Tons / 9 Tons
 DOUBLE BOLTED	17 Tons / 35 Tons	8 Tons / 18 Tons
 TRIPLE BOLTED	28 Tons / 53 Tons	14 Tons / 26 Tons



Installation Notes:

Prepare the existing foundation. Core a 3.50" diameter or larger hole through the footing or slab where the push pier is located. Attach the bracket and Magnum ram. Install the push pier through the core hole to the required pressure and load test. Lift the structure as needed using either a Magnum ram or lifting fixture. Drill holes and bolt the bracket to the pile.

Magnum Piering, Inc.

6082 Schumacher Park Dr.
West Chester, OH 45069
800-822-7437
www.magnumpiering.com

© Copyright 2010 Magnum Piering, Inc. All Rights Reserved.
U.S. Patents 6,058,662 and 5,234,287; Other Patents Pending.